

**GOLDENDALE CITY COUNCIL
SPECIAL MEETING
DECEMBER 14, 2022
5:30 PM**

NOTE: THIS MEETING IS BEING HELD IN PERSON OR CAN BE ACCESSED REMOTELY BY TELEPHONE AND ZOOM VIDEO. TO PARTICIPATE YOU WILL NEED TO CALL 415-762-9988. THE MEETING ID NUMBER IS 373 290 5204. YOU WILL BE ABLE TO CALL IN AT 6:45. YOU CAN FIND THE INSTRUCTIONS FOR ZOOM ON THE WEBSITE.

- A. Call to Order
 - 1. Pledge of Allegiance

- B. Roll Call

- C. Public Hearing

- D. Agenda (NO CONSENT AGENDA)
 - 1. Approval of Agenda
 - 2. Consent Agenda
 - a. Approval of Minutes
 - b. Claims
 - c. Payroll
 - d. Other

- E. Presentations

- F. Department Reports

- G. Council Business
 - 1. Purchase Options of a Genie Lift

- H. Resolutions

- I. Ordinances

- J. Report of Officers and City Administrator

- K. Public Comment

- L. Executive Session

- M. Adjournment

AGENDA BILL: G2

AGENDA TITLE: Genie Lift Request to Purchase

DATE: December 14, 2022

ACTION REQUIRED:

ORDINANCE _____ COUNCIL INFORMATION _____ X _____

RESOLUTION _____ OTHER _____

MOTION _____ X _____

EXPLANATION:

City planned to purchase a Genie boom lift in the 2022 fiscal year. Due to financial conditions this purchase was pushed forward to the 2023 budget. The city has rented Genie lifts numerous times over the years to perform maintenance work on our reservoirs, buildings, trees and streetlights. With the new streetlight parts on order, that will need to be installed, we will need to rent or purchase a genie boom to perform the work. The average rental cost for a boom lift is \$400 to \$500 a day for renting the lift. It will take an estimated 45 days to make the changes to the streetlight. Total estimated rental cost is \$18,000 to rent the Genie lift for that period of time.

City staff has found a used genie lift for \$47,837.50. If the City Council chooses to authorize this expenditure over rental option, the expenditure would come out of the 2023 budget. This expenditure was planned for in the 2023 budget if authorized by Council. The City has the option to purchase outright or buy contract.

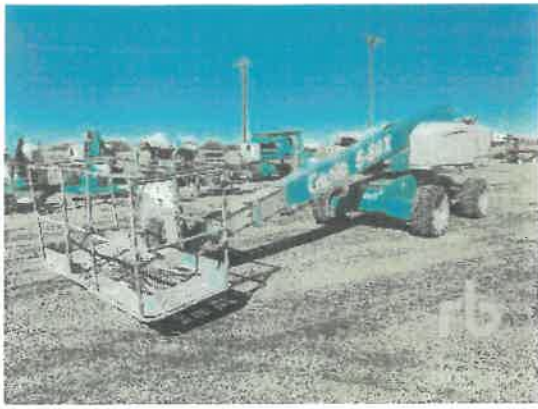
FISCAL IMPACT:

ALTERNATIVES:

STAFF RECOMMENDATION:

MOTION:

I MOVE TO APPROVE THE PURCHASE OF THE GENIE BOOM LIFT IN THE AMOUNT OF \$47,837.50



[2014 Genie S-60X 4WD Diesel Telescopic Boom Lift](#)

4443
 DENVER, CO



[2014 Genie S-60X 4WD Diesel Telescopic Boom Lift](#)

2966
 PHOENIX, AZ

[See Genie Boom Lift for sale rbauction.com](#)
[See Genie Boom Lift for sale ironplanet.com](#)
[See Genie Boom Lift for sale mascus.com](#)

[Need help? Contact Us](#)

English

Company

[About Ritchie Bros.](#)

[rbauction.com](#)

[ironplanet.com](#)

[mascus.com](#)

[rbassetsolutions.com](#)

[Contact Us](#)

Popular Searches

[JCB 407ZX Wheel Loader](#)

[Terex TR70 Rock Truck](#)

[Caterpillar 365C L Hydraulic Excavator](#)

[Terex TA40 Articulated Dump Truck](#)

[Caterpillar 143H Motor Grader](#)

[Volvo L90D Wheel Loader](#)

[Hyundai HL780-3A Wheel Loader](#)

[Bobcat S175 Skid Steer Loader](#)

[Caterpillar D9T Crawler Tractor](#)

Looking for equipment or trucks?

Ritchie Bros. sells more new and used industrial equipment and trucks than any other company in the world.

[Equipment for sale on rbauction.com](#)

[Equipment for sale on ironplanet.com](#)

[Equipment for sale on mascus.com](#)

[Sell your equipment](#)

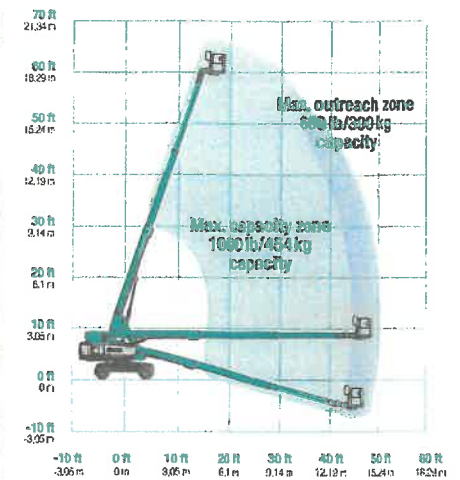
© 2007-2018 RitchieSpecs Equipment Specifications Ritchie Bros. Auctioneers © [Privacy Statement](#) | [Terms of Use](#)
OEM specifications are provided for base units. Actual equipment may vary with options.

Genie® S®-60 XC™ & S-65 XC, S-60 TraX™ & S-65 TraX

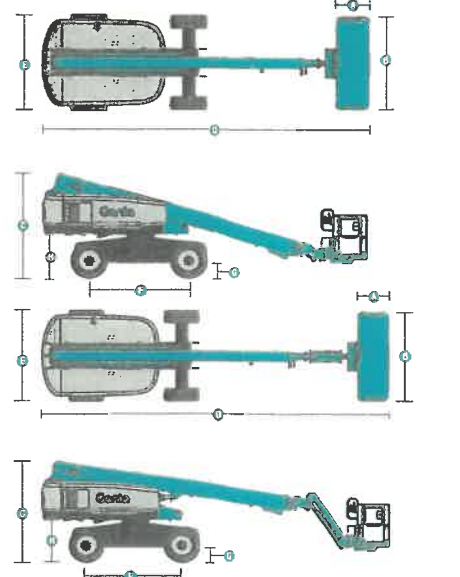
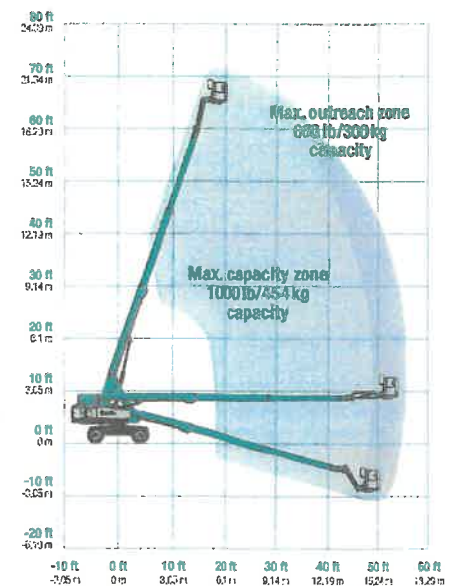
Specifications

Models	S-60 XC & S-60 TraX		S-65 XC & S-65 TraX	
Measurements	US	Metric	US	Metric
Working height max. ⁽¹⁾	66ft	20.29m	71ft	21.81m
Platform height max.	60ft	18.29m	65ft	19.81m
Horizontal reach max.	48ft 7in	14.80m	54ft 2in	16.51m
Below ground reach	5ft 5in	1.65m	8ft 8in	2.65m
Ⓐ Platform length (8 ft/6 ft)	3 ft 2 in / 6 ft	0.91 m / 1.83 m	3 ft 2 in / 6 ft	0.91 m / 1.83 m
Ⓑ Platform width (8 ft/6 ft)	8 ft / 6 ft	2.41 m / 1.83 m	8 ft / 6 ft	2.41 m / 1.83 m
Ⓒ Height - stowed (tires)	9ft 2in	2.80m	9ft 3in	2.81m
Height - stowed (TraX)	9ft 2in	2.80m	9ft 3in	2.81m
Ⓓ Length - stowed (tires)	20ft 7in	6.71m	32ft	9.76m
Length - stowed (TraX)	28ft 7in	8.71m	32ft	9.76m
Ⓔ Jib (ft)	6 ft 2 in	2.49 m	6 ft 2 in	2.49 m
Width (TraX)	8 ft 6 in	2.58 m	8 ft 6 in	2.58 m
Ⓕ Wheelbase	8 ft 2 in	2.49 m	8 ft 2 in	2.49 m
Ⓖ Ground clearance - center (tires)	16.3 in	0.41 m	16.3 in	0.41 m
Ground clearance - center (TraX)	16.3 in	0.41 m	16.3 in	0.41 m
Ⓖ Height under counter weight	3ft 10in	1.17m	3ft 10in	1.17m

Range of motion S-60 XC/S-60 TraX



Range of motion S-65 XC/S-65 TraX



Productivity

Lift capacity max. - unrestricted	660 lb	300 kg	660 lb	300 kg
Lift capacity max. - restricted	1,000 lb	454 kg	1,000 lb	454 kg
Number of Platform Occupants (restricted/unrestricted)	3/2	3/2	3/2	3/2
Platform rotation	160°	160°	160°	160°
Jib length	—	—	5 ft	1.52 m
Vertical jib rotation (up/down)	—	—	133°	133°
Turntable rotation	360°	360°	360°	360°
Turntable tailswing	4 ft 7.5 in	1.41 m	4 ft 7.5 in	1.41 m
Drive speed - stowed (tires)	3.0 mph	4.8 km/h	3.0 mph	4.8 km/h
Drive speed - stowed (TraX)	2.3 mph	3.7 km/h	2.3 mph	3.7 km/h
Drive speed - raised (tires)	1 ft/s	0.3 m/s	1 ft/s	0.3 m/s
Drive speed - raised (TraX)	0.7 ft/s	0.2 m/s	0.7 ft/s	0.2 m/s
Gradeability - stowed ⁽²⁾	45%	45%	45%	45%
Tilt sensor activation (front to back/side to side)	7°/5°	7°/5°	7°/5°	7°/5°
Turning radius - inside/outside (tires)	7 ft 9 in/18 ft 2 in	2.40 m/5.50 m	7 ft 9 in/18 ft 2 in	2.40 m/5.50 m
Turning radius - inside/outside (TraX)	11 ft 5 in/ 21 ft 4 in	3.48 m/ 6.50 m	11 ft 5 in/ 21 ft 4 in	3.48 m/ 6.50 m
Tires	355/55D625	355/55D625	355/55D625	355/55D625
Track system - 4 points	TraX	TraX	TraX	TraX

Power

Power	Diesel	Diesel	Diesel	Diesel
Hydraulic tank capacity	40 gal	151 L	40 gal	151 L
Fuel tank capacity	35 gal	132 L	35 gal	132 L

Weight⁽³⁾ and Floor Loading⁽⁴⁾

Weight (tires)	22,930 lb	10,401 kg	25,160 lb	11,412 kg
Weight (TraX)	26,840 lb	12,174 kg	29,000 lb	13,154 kg
Tire contact pressure	90 psi	620 kPa	90 psi	620 kPa
Track contact pressure	23 psi	158 kPa	25 psi	170 kPa
Occupied floor pressure (tires)	281 psf	13.44 kPa	304 psf	14.55 kPa
Occupied floor pressure (TraX)	266 psf	12.72 kPa	285 psf	13.66 kPa

Sound and Vibration Levels

Sound Pressure level (ground workstation)	83 dBA	83 dBA	83 dBA	83 dBA
Sound Pressure level (platform workstation)	79 dBA	79 dBA	79 dBA	79 dBA
Vibrations	< 2.5 m/s ²	< 2.5 m/s ²	< 2.5 m/s ²	< 2.5 m/s ²

- (1) The metric equivalent of working height adds 2 m to platform height. The imperial equivalent adds 6 ft to platform height.
- (2) Gradeability applies to driving on slopes and may vary depending on options and machine configurations. See operator's manual for details regarding slope ratings.
- (3) Weight refers to standard configuration and may vary depending on options and/or country standards.
- (4) Floor loading information is approximate and may vary depending on options and machine configurations. It should be used only with adequate safety factors.

Genie® S®-60 XC™ & S-65 XC, S-60 TraX™ & S-65 TraX

SKU: Standard Model

- **S60XC001AF0001:** S-60 XC, 4WD
- **S60XC001AF0010:** S-60 XC, Lift Power 3kW, 4WD
- **S60XC001AF0003:** S-60 XC, Lift Power 12kW Welder Ready, 4WD

* Build to Order

SKU: Standard Model

- **S65XC001AF0002:** S-65 XC, 4WD
- **S65XC001AF0003:** S-65 XC, Lift Power 3kW, 4WD
- **S65XC001AF0001:** S-65 XC, Lift Power 12kW Welder Ready, 4WD

Option availability	S	S+	BtO
49 hp, 37 kW, Deutz D2.9L, Diesel, T4f	✓	✓	✓
49 hp, 37 kW, Perkins 404F-E22T, Turbo Diesel, T4f	✓	✓	✓
60 hp, 45 kW, Ford 2.5L, Gas/LPG	○	○	○
74 hp, 55 kW, Deutz TD2.9L, Turbo Diesel, T4f (TRAX and 80/85)	✓	✓	✓
74 hp, Deutz TD2.9L, Turbo Diesel, T4f	✓	✓	✓
Cold weather package	○	○	○
Diesel air intake pre-cleaner	○	○	○
Ford engine gauge package	○	○	○
LPS Fire protection rating	○	○	○
Positive air shutdown system	○	○	○
Second battery	○	○	○
Anti-restart engine protection	✓	✓	✓
Auto engine fault shutdown	✓	✓	✓
In cylinder glow plug (diesel only)	✓	✓	✓
6ft/1.83m dual-entry platform with side swing gate	✓	✓	✓
8ft/2.44m tri-entry platform with side swing gate	○	○	○
6ft/1.83m Aircraft protection platform with sliding mid-rail	○	○	○
6ft/1.83m Aircraft protection platform with side swing gate	○	○	○
Dual axis joystick steering	✓	✓	✓
Thumb rocker steering	○	○	○
Air line to platform	○	○	○
Control box covers	○	○	○
Lift Guard Full Mesh panels	○	○	○
Lift Guard Half Mesh panels	○	○	○
Light Package: drive and work lights	○	○	○
Platform auxiliary top rail	○	○	○
Lift Power 3kW AC Generator, 110V/60Hz	○	○	○
Lift Power 3kW AC Generator, 220V/50Hz	○	○	○
Lift Power 12kW Welder Ready	○	○	○
660lb/300kg & 1000lb/454kg dual load capacity with automatic envelope control	✓	✓	✓
Drive enable system	✓	✓	✓
Horn	✓	✓	✓
Lift Guard Contact Alarm	✓	✓	✓
Lift Tools Work Tray	✓	✓	✓
Platform load sense system	✓	✓	✓
Proportional controls	✓	✓	✓
Self-leveling platform	✓	✓	✓
Lift Connect Telematics	○	○	○
Lift Connect with Access Manager upgrade	○	○	○
Biodegradable hydraulic oil	○	○	○
Cold weather hydraulic oil	○	○	○
Fire resistant hydraulic oil	○	○	○
High floatation, air-filled tires	○	○	○
Rough terrain, foam-filled tires	✓	✓	✓
Rough terrain, foam-filled, non-marking tires	○	○	○
TraX quadra track drive system	○	○	○
Deluxe hostile environment kit	○	○	○
Hostile environment kit	○	○	○
LPG tank 33.5 lb	○	○	○
Tow package	○	○	○
Active oscillating axle	✓	✓	✓
Alarm package: includes flashing beacon and travel alarm	✓	✓	✓
Descent, tilt and motion alarm	✓	✓	✓
Dual battery system	✓	✓	✓
Hour meter	✓	✓	✓
Hydraulic oil cooler	✓	✓	✓
Positive traction drive	✓	✓	✓
Tech Pro Link connector	✓	✓	✓
Wheel motors 2 speed	✓	✓	✓

Positive air shutdown system for Deutz engines only

- S Standard
- S+ Standard +
- BtO Build to Order
- ✓ Standard Features
- Options



Xtra Capacity



Rugged Terrainability



Lift Power



Genie Genuine Accessories⁽¹⁾

- Lift Tools Productivity Tools
- Lift Connect Telematics
- Tech Pro Link Handheld Device

(1) More accessories available from Genie Genuine Parts.

Product specifications are subject to change without notice or obligation. Photographs and/or drawings herein are for illustrative purposes only. Refer to the appropriate Operator's Manual for instructions on proper equipment use. Failure to follow instructions in the Operator's Manual may result in serious injury or death. The only warranty applicable to our equipment is the standard written warranty applicable to the particular product and sale and we make no other warranty, express or implied. Products and services listed may be trademarks, service marks or trade names of Terex Corporation and/or their subsidiaries in the USA and many other countries. Terex, Genie, Quality By Design, Xtra Capacity, Lift Power, Lift Guard, Lift Tools, Lift Connect and Tech Pro Link are registered trademarks of Terex Corporation or its subsidiaries.

SALES QUOTE



Northwest Equipment Sales, Inc.

2011 S 341st Place
Federal Way WA 98003

www.nwequip.net

253.835.1802 800.717.1338

fax: 253.835.1812

email: contact@nwequip.net

DATE: 11/28/22

SOLD TO: City of Goldendale			SHIP TO: City Of Goldendale		
ADDRESS: 1103 S Columbus Ave			ADDRESS: 1103 S Columbus Ave		
CITY: Goldendale	STATE: WA	ZIP: 98620	CITY: Goldendale	STATE: WA	ZIP: 98620

NAME: Doug Frantum		
PHONE #: 509.773.3771	Terms: TBD	FOB:
FAX #:	Ship via: Online Freight	Salesman: Jordan Hibbard
PO #:	Email: greentrk81@yahoo.com	

DESCRIPTION & SERIAL NO & UNIT #:		
Genie S60X		\$43,000.00
Unit#2135 Year:2012 Hours:4,000 Diesel, 4x4, Extra Capacity Basket, Gen,		
Full Service & Current Annual Inspection		No Charge
	SHIPPING/FREIGHT	\$1,500.00
<input checked="" type="checkbox"/> SOLD AS IS <input type="checkbox"/> WARRANTY	SELLING PRICE	
TRADE IN DESCRIPTION & SERIAL NO.	TRADE IN	
CREDIT CARD #:	SALES TAX (%)	\$3,337.50
EXP: V#: Address/Zip:	DOWN PAYMENT	
PURCHASER CERTIFICATES THAT THE EQUIPMENT TRADED IN IS FREE AND CLEAR OF ALL LEINS & ENCUMBRANCES	TOTAL	\$47,837.50

It is agreed that the entire agreement, relating to this order is embodied in these presents and that no agreements, understandings, terms or conditions, which in any way, modify, affect, terminate, or otherwise pertain to this order or the contract resulting from the acceptance of this order, will be binding upon the seller unless made in writing and accepted in writing by an officer or seller.

THIS ORDER IS STRICTLY SUBJECT TO ALL TERMS AND CONDITIONS SET FORTH ON ITS REVERSE SIDE, AND BY THE SIGNATURE HEREON. THE PURCHASE EXPRESSLY STATES THAT EACH OF SAID ITEMS AND CONDITIONS, AND PARTICULARLY THE TERMS AND CONDITIONS CONTAINED IN PARAGRAPH 7 WHICH RELATES TO THE DISCLAIMER OF ALL WARRANTIES, WAIVER OF LIABILITY, INDEMNITY AND HOLD HARMLESS PROVISIONS, HAS BEEN SPECIFICALLY AND INDIVIDUALLY NEGOTIATED BETWEEN THE PARTIES AND CONSTITUTES A MATERIAL AND BINDING PORTION OF THE AGREEMENT BETWEEN PARTIES.

Salesman: _____ Signed: _____ Date: _____

Customer: _____ Signed: _____ Date: _____

Northwest Equipment Sales Inc – TERMS & CONDITIONS

This order is subject to the following terms and conditions:

1. Seller reserves the right to accept or reject this order and shall not be required to give any reason for non-acceptance.
2. This order when accepted by seller shall become a binding contract, but shall be subject to strikes, lockouts, accidents, fire delays in manufacturing or transportation, Acts of God, embargoes, war, governmental action, or any cause beyond the control of the seller whether the same as or different from the matters and things specifically enumerated and any of said causes shall absolutely absolve seller from any liability to the purchaser under the terms hereof.
3. Except in the event of a cash sale, the title to the equipment shall remain vested in seller until the indebtedness and all sums due to become due from the purchaser, whether evidenced by note, book account, judgment or otherwise, shall have been fully paid at which time ownership shall pass to purchaser. The indebtedness of purchaser and sums due seller from purchaser shall include any and all money due for work done or for materials, supplies, accessories furnished or sold any money advanced to purchaser by seller.
4. Seller's responsibility for shipment ceases upon delivery to transportation company and any claims for shortages, delays or damages occurring thereafter shall be made by the purchaser directly to the transportation company. Any claims against the seller for shortages in shipments shall be made within fifteen days after receipt of shipment. The provisions of this paragraph are in addition to and not lieu of the provisions of paragraph 2 herein.
5. The purchaser agrees that this order shall not be countermanded by purchaser, and that when it is accepted (and until the execution and delivery of the security agreement or agreement and note or notes required to consummate the sale as herein specified) it will cover all agreements between the parties relative to this transaction. The seller is not bound by any representations or terms made by any agent relative to transaction which are not embodied herein, and no agreements, understandings, terms or condition modifying affecting terminating or otherwise pertaining to the order or the contract resulting from the acceptance hereof will be binding upon seller unless made in writing and accepted in writing by an officer of the seller.
6. When any of the equipment necessary to fill any part of this order is available, purchaser agrees on request made by seller to execute and deliver to seller such notes and security agreements as may be required by the seller to evidence this transaction. In event that the purchaser fails to execute and deliver said notes and security agreements as required by the seller the entire balance of the purchase price at seller's option shall become immediately due and payable.
7. With regard to all items of equipment, whether new, used, or second hand, included in this order, it is agreed by the purchaser, that there are absolutely no warranties whatsoever, either express or implied, and that such items of equipment included in this order are sold "As is" – "Where is" unless specific expression to the contrary appears on the face of this order and except to the extent that a manufacturer's warranty may apply. The seller hereby specifically disclaims, as to any such equipment sold in this order, any warranty, express or implied of merchantability, of fitness for a particular purpose, of fitness for the general purpose for which the equipment is intended and all other warranties, save only the warranty of title, provided, however, when authorized by the manufacturer as to new equipment, the standard warranty of the manufacturer will be made on behalf of such manufacturer, but nor on behalf of the seller, function in any manner, any purchaser hereby agrees to indemnify and hold seller harmless from and against any cause of action of any kind, whatsoever, resulting from defect or from the condition of any item of equipment covered in this order. The provisions of this paragraph have each been specifically negotiated between seller and purchaser and constitute an essential part of the consideration in the sale of the equipment covered herein.
8. If this order contemplates a security interest in the equipment covered hereby, this order shall be subject to seller's approval of purchaser's credit on the actual delivery date and seller reserves the right to restrict the security agreement from the acceptance hereof to a cash sale or to specify all credit terms and the security to be given for the extension of credit.
9. Purchaser agrees to maintain the equipment in good repair and to not permit the same to be removed from his possession or to be attached, levied upon or assessed against, not to permit any lien encumbrance or adverse claim of any kind whatsoever to be made against the equipment as long as seller retains a security interest therein, and purchaser agrees to pay all taxes and indebtedness of every kind levied or assessed against the equipment or in connection with this transaction. In the event that purchaser should fail to maintain the equipment or should fail to do any of the other things required of him under this agreement, then seller may, but shall not be required to pay or do the same, and any sums expended by seller thereby shall be added to the unpaid balance due hereunder and shall be repayable to seller by purchaser immediately upon demand together with interest thereon at the rate of 18% per annum from the time such advances were made or cost incurred by seller. If suit or action becomes necessary to enforce this agreement or any part thereof, or to collect any sums owing to seller by purchaser then in addition to such costs and disbursements as may be permitted by law, purchaser agrees to pay seller a reasonable attorney's fee. All parties to this agreement shall have all legal disputes venued in King County, Washington.
10. Purchaser will keep the equipment fully insured against loss or damage by fire, theft and collision and such other hazards as seller may from time to time require as soon as the equipment is delivered to purchaser, containing such deductible provisions and upon such terms as seller may require, and all such policies of insurance shall be delivered to seller to be retained by it while any indebtedness hereunder remains owing.

Signature: _____, I accept these terms of purchase

Printed name: _____ date: _____